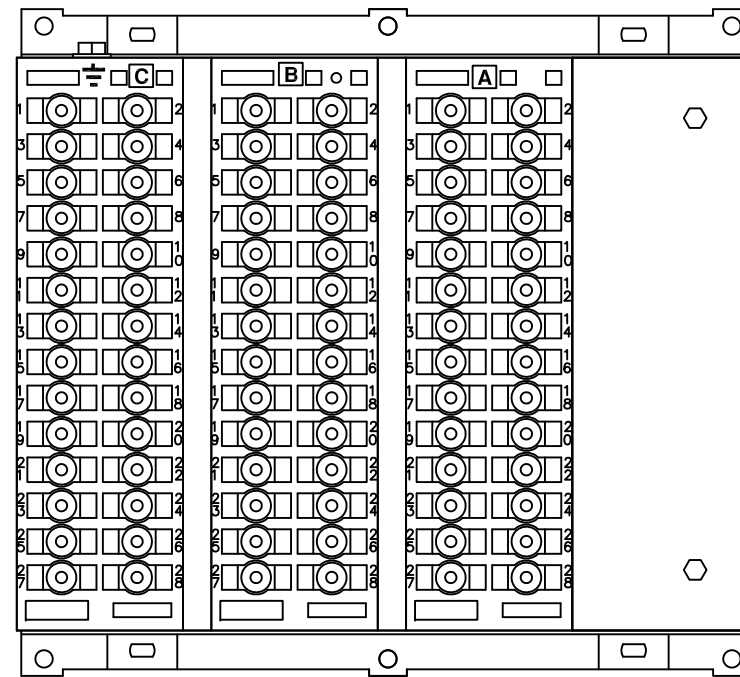


IF IN DOUBT ASK  
DO NOT SCALE

ABBREVIATIONS	
I	CURRENT INPUTS
BI	BINARY INPUTS
BO	BINARY OUTPUTS
CO	CHANGE OVER BINARY OUTPUT CONTACTS
NO	NORMALLY OPEN BINARY OUTPUT CONTACTS
NC	NORMALLY CLOSED BINARY OUTPUT CONTACTS

COMMUNICATIONS IDENTIFICATION	
COM1	RS485 (ON BLOCK 'B' TERMINALS 14,16,18 & 20)
COM2	USB TYPE'B' PORT (ON RELAY FRONT LABEL)

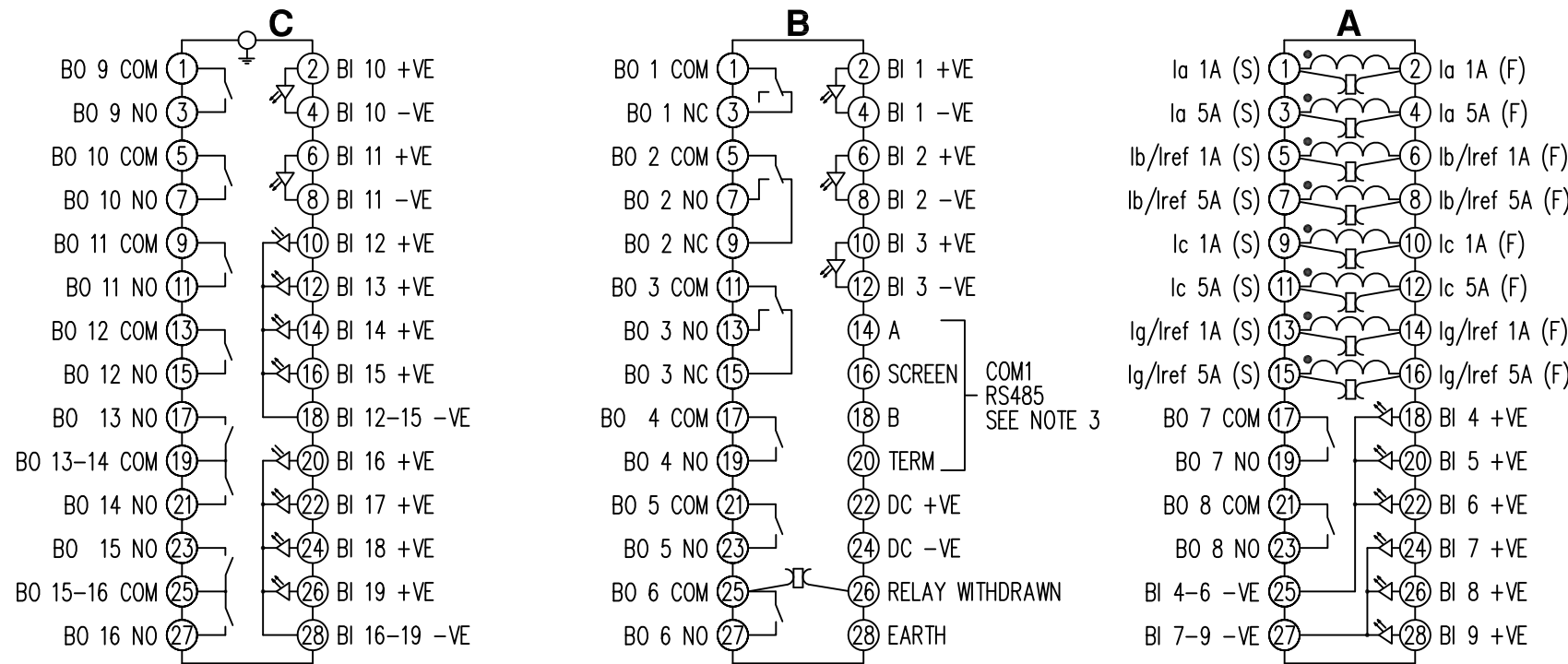
NOT SUBJECT TO UPDATE  
ONCE COPIED / PRINTED  
OR DOWNLOADED



RELAY VIEWED FROM REAR

**NOTES**

- TERMINALS RECOMMENDED ARE PRE-INSULATED & MUST BE CRIMPED USING APPROVED TOOLING. AMP PIDG OR PLASTI GRIP FUNNEL ENTRY (RING TONGUE) FOR M4 FIXING STUD.
- | SUPPLIER | PART NUMBER | CABLE SIZE              |
|----------|-------------|-------------------------|
| AMP      | 342103      | 0.25-1.6mm <sup>2</sup> |
| AMP      | 342143      | 1.0-2.6mm <sup>2</sup>  |
- OR ANY OTHER MANUFACTURERS EQUIVALENT TERMINAL.
- FOR OUTLINE & PANEL DRILLING, SEE 2995X10008 (A4).
  - CONNECTIONS TO THIS COMMUNICATIONS FACILITY IS BY SCREENED, TWISTED PAIR CABLE, ON SITE. WHEN WIRING OTHER FACILITIES ENSURE THAT THESE TERMINALS ARE NOT OBSCURED BY OTHER WIRE RUNS.
  - CONTACTS SHOWN THIS ARE INTERNAL RELAY CASE ASSEMBLY AND CLOSE WHEN THE RELAY CHASSIS IS WITHDRAWN FROM THE CASE.



COMMS  
BLANKING  
PLATE

**MATERIAL:**

Dimensions in millimetres : Surface texture in micrometres.  
Machine where marked ✓  
For explanation of dimensions, tolerances, notes etc. see B.S.308.  
Limit on untoleranced unmachined dimensions ± \_\_\_\_\_  
Limits on untoleranced machined dimensions to B.S.4500;  
i.e. up to 6±0.1; over 30 to 120±0.3; over 315±0.8;  
over 6 to 30±0.2; over 120 to 315±0.5;  
General unmachined angular tolerance ± \_\_\_\_\_

Finish: \_\_\_\_\_

Title:  
TERMINAL ID & WIRING DIAGRAM FOR 7SR23(DAD)  
4I,19BI,2CO,13NO,1NC,RS485, E8 CASE

First used on: \_\_\_\_\_  
Similar Articles: \_\_\_\_\_  
Supersedes: \_\_\_\_\_

Treatment: \_\_\_\_\_

**SIEMENS PROTECTION DEVICES LTD.**

Original Scale:  
NTS

Drq. No.  
**2414W40006**

1	26/01/12	CHANGE
ISSUE	DATE	NOTED